

OPERATORS MANUAL

FOR

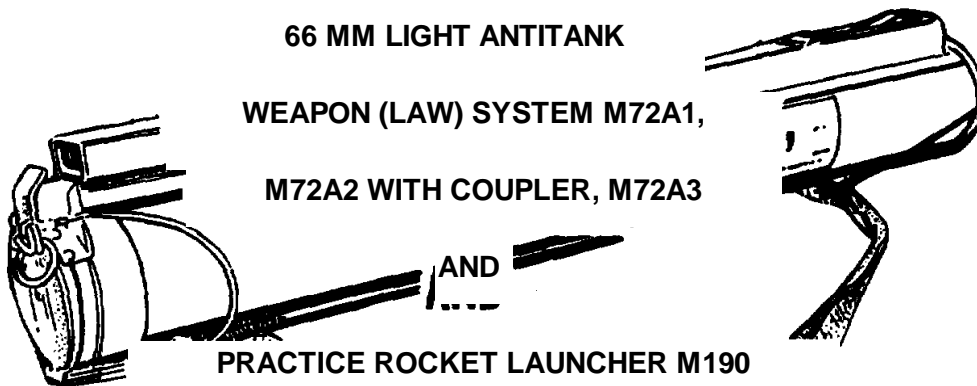
66 MM LIGHT ANTITANK

WEAPON (LAW) SYSTEM M72A1,

M72A2 WITH COUPLER, M72A3

AND

PRACTICE ROCKET LAUNCHER M190  
WITH M73 PRACTICE ROCKET



Approved for public release; distribution is unlimited.

This copy is a reprint which includes current pages from Change 1.

# WARNING

- DO NOT EXTEND LAUNCHER UNTIL READY TO FIRE.
- DO NOT FIRE UNLESS DANGER AREAS ARE CLEAR OF PERSONNEL AND OBSTRUCTIONS.
- WEAR EAR PLUGS WHEN FIRING THE WEAPON



- METER MARKINGS ON THE FRONT POST SIGHTS OF THE M72A1, M72A2, AND M190 LAUNCHERS CONTAIN SMALL AMOUNTS OF RADIOACTIVE MATERIAL FOR ILLUMINATION. THE SIGHTS DO NOT PRESENT A SIGNIFICANT HEALTH HAZARD BUT MUST BE CONTROLLED. IF SIGHT IS BROKEN REMOVE AND PLACE IN A PLASTIC SEALED BAG. STORE BAG IN A SEALED CONTAINER UNTIL REMOVED BY AMMUNITION DISPOSAL PERSONNEL.

U  
AR 4412

Change )  
          )  
No. 1    )

HEADQUARTERS  
DEPARTMENT OF THE ARMY  
Washington, DC, 20 February 1992

OPERATOR'S MANUAL  
FOR  
66MM LIGHT ANTITANK WEAPON (LAW) SYSTEM M72A1,  
M72A2 WITH COUPLER, AND M72A3

TM 9-1340-214-10, 31 May 1991, is changed as follows:

1. Make the following pen and ink changes:
  - a. On cover, change the title from "Operator's Manual for 66MM Light Antitank Weapon (LAW) System M72A1, M72A2 With Coupler, M72A3 and Practice Rocket Launcher M190 With M73 Practice Rocket" to read "Operator's Manual for 66MM Light Antitank Weapon (LAW) System M72A1, M72A2 With Coupler, and M72A3".
  - b. On inside back cover, change address from "Commander, U. S. Army Armament, Munitions and Chemical Command, ATTN: AMSMC-MAY-T ID), Picatinny Arsenal, NJ 07806-5000" to read "Commander, U. S. Army Armament Research, Development and Engineering Center. ATTN: SMCAR-LMB, Picatinny Arsenal, NJ 07806-5000".

2. Remove old pages and insert new pages as indicated below. New or changed material is indicated by a vertical bar in the margin of the page.

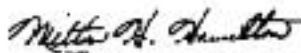
Remove pages  
3 and 4

Insert pages  
3 and 4

3. File this change sheet in front of the publication for reference purposes.

By Order of the Secretary of the Army:

Official:



MILTON H. HAMILTON  
*Administrative Assistant to the  
Secretary of the Army*

GORDON R. SULLIVAN  
*General, United States Army  
Chief of Staff*

Distribution:

To be distributed in accordance with DA Form 12-40-E, Block, 0628, Operator Maintenance requirements for TM 9-1340-214-10.

## CHAPTER 1

### INTRODUCTION

		Page	
SECTION	I	GENERAL .....	3
	II	A BRIEF DESCRIPTION .....	4-5
	III	DATA.....	6
	IV	LABELS AND MARKING .....	7-8

## CHAPTER 2

### OPERATION

		Page	
SECTION	I	SERVICE UPON RECEIPT OF MATERIEL .....	9-12
	II	CARRYING POSITION.....	13
	III	BACK BLAST DANGER ZONES .....	14
	IV	PREPARATION FOR FIRING .....	15-16
	V	FIRING POSITIONS . .....	17
	VI	READY .....	18
	VII	AIM .....	19
	VIII	FIRE .....	20
	IX	FAILURE OF WEAPON TO FIRE IMMEDIATELY .....	21-24
	X	PREPARED FOR - BUT NOT FIRED .....	25-28

## CHAPTER 3

### MAINTENANCE

SECTION	I	OPERATOR MAINTENANCE .....	29
	II	REPACK .....	30

U  
AR 4413

THIS PAGE INTENTIONALLY LEFT BLANK

U  
AR 4414

## CHAPTER 1

### INTRODUCTION

#### SECTION I

##### GENERAL

###### 1-1. SCOPE

THIS MANUAL CONTAINS A DESCRIPTION OF AND INSTRUCTIONS FOR OPERATIONS OF THE 66-MM LIGHT ANTITANK WEAPON (LAW) SYSTEM M72A1, M72A2 WITH COUPLER, AND M72A3.

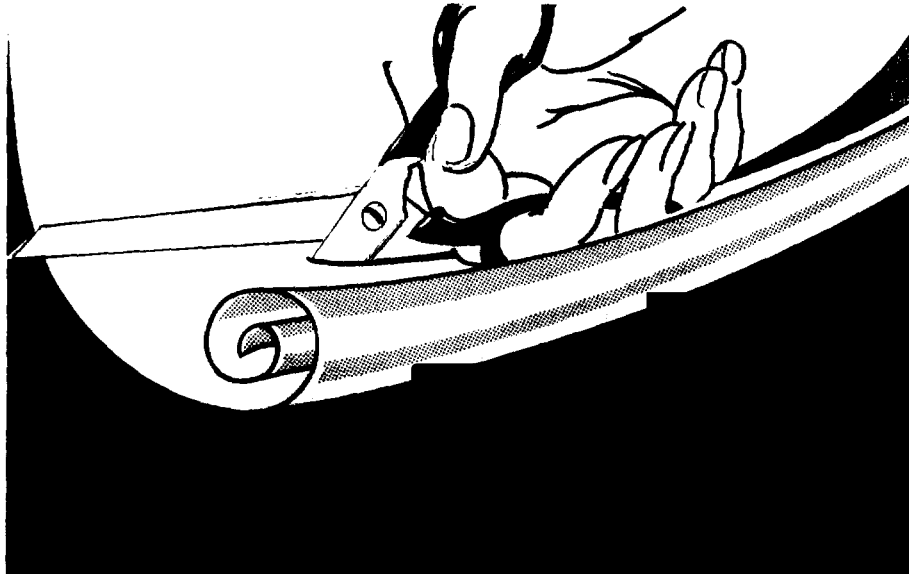
THE OPERATING INSTRUCTIONS FOR THE TACTICAL AND PRACTICE WEAPONS ARE IDENTICAL.

THE PRACTICE LAUNCHER, M190 WITH M73 PRACTICE ROCKET, IS A MODIFIED M72A1 LAUNCHER CONVERTED TO FIRE A 35-MM M73 ROCKET. THE ROCKET, WHICH CONTAINS A SPOTTING CHARGE, SIMULATES THE FIRING OF THE TACTICAL WEAPON. SEE TM 91340-224-12 FOR OPERATOR AND UNIT MAINTENANCE INSTRUCTIONS.

U  
AR 4415A

CHANGE 1 3

SECTION II  
A BRIEF DESCRIPTION



THE LAW

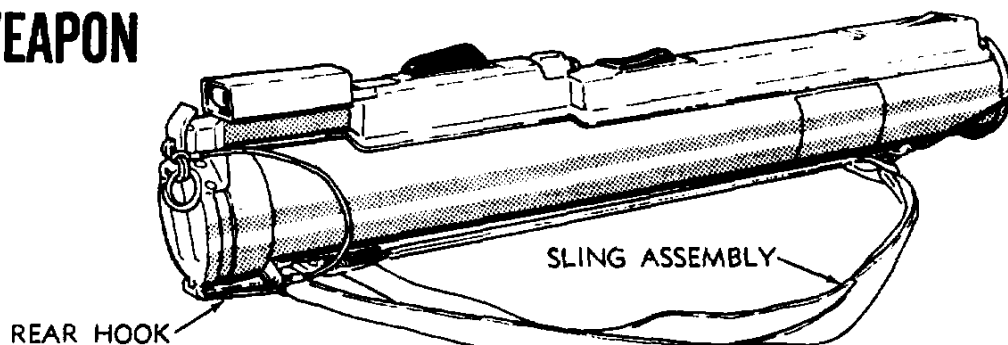
CONSISTS OF A LIGHTWEIGHT SHOULDER-FIRED HEAT ROCKET PREPACKAGED IN A LAUNCHER. END COVERS PROTECTS ROCKET AGAINST DIRT AND MOISTURE. THE WEAPON IS CARRIED SLUNG OVER THE SHOULDER BY AN ATTACHED SLING ASSEMBLY.

U  
AR 4416A

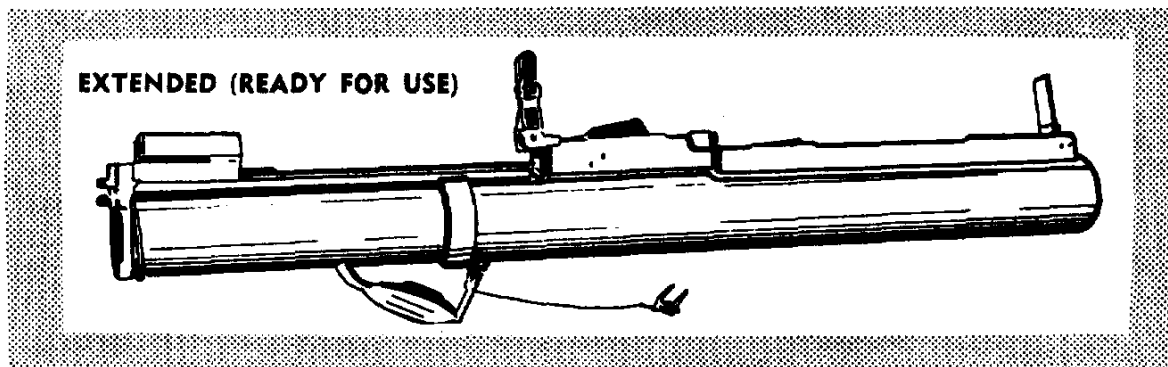
CHANGE 1 4



# WEAPON



EXTERNAL VIEW AS ISSUED (NOT EXTENDED)



EXTENDED (READY FOR USE)

NOTE: EXTERNAL VIEW OF TACTICAL AND PRACTICE WEAPON ARE IDENTICAL

U  
AR 4417

## SECTION III

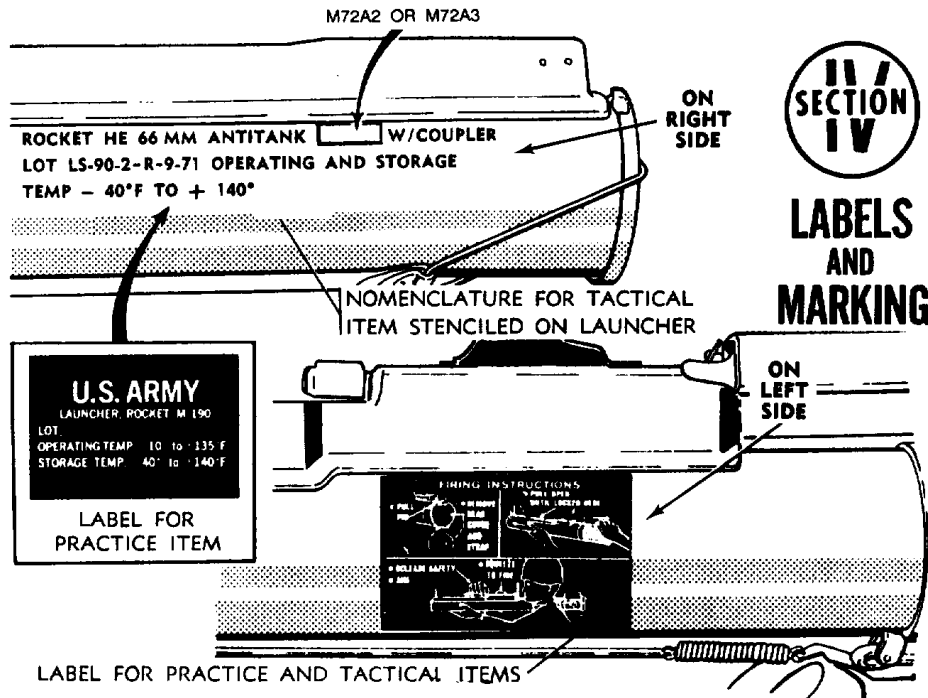
### DATA

#### WEAPON DATA

	Tactical		Practice
	M72A1	M72A2, M72A3	Launcher M190 w/Rocket M73
Weight	5.1-Lb	5.1-Lb	5.-Lb
Color Identification			
Launcher	OD	OD	OD
Firing Instruction Label	OD Background White Printing	OD Background White Printing	OD Background White Printing
Model, Lot			
No, Date	OD W/Yellow	OD W/Yellow	OD W/ Yellow
Mfg Label	Printing	Printing	Printing
Warhead	M72 (Heat)	M72A1 (Heat)	Spotting Charge
Complete Length			
(Closed) Nominal	24.7-In.	24.7-In.	25.3-In.
(Open) Nominal	34.7-In.	34.7-in.	35.4-In.
Diameter	4.9-In.	4.9-In.	4.9-In.

U  
AR 4418

SECTION IV  
LABELS AND MARKING



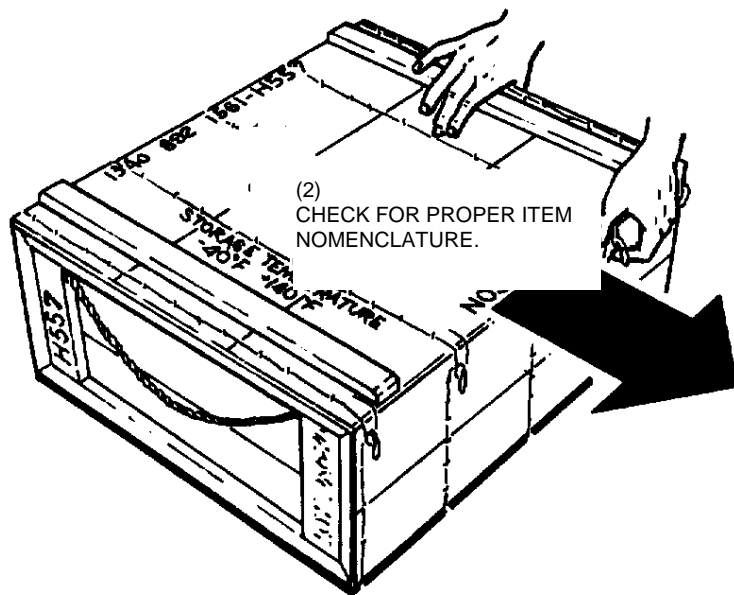
U  
AR 4419

THIS PAGE LEFT INTENTIONALLY BLANK

U  
AR 4420

## CHAPTER 2 OPERATION SECTION I

Following applies to tactical weapon only  
**SERVICE UPON RECEIPT OF MATERIEL**

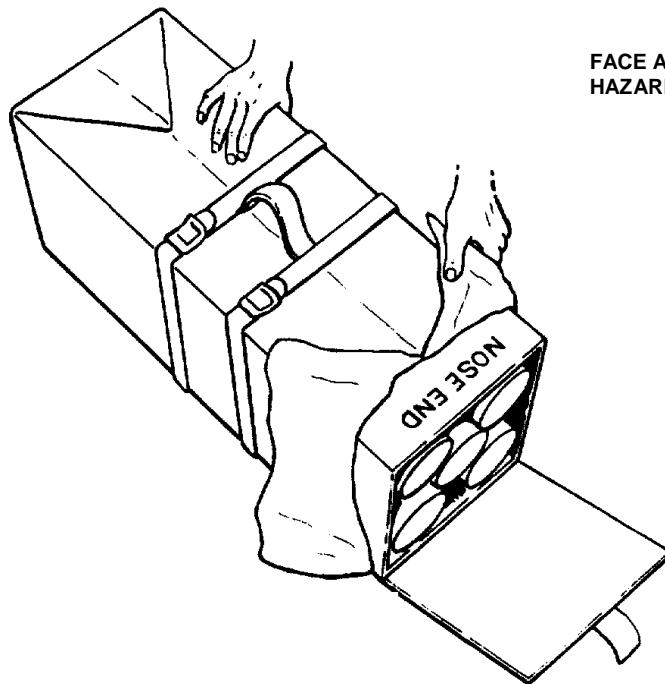


- (1) KEEP MARKING "NOSE END" OF BOX FACING LEAST HAZARDOUS AREA
- (3) STAND TO SIDE, OF "NOSE END" MARKING
- (4) REACH OVER TOP OF BOX AND UNFASTEN WIRE HOOPS

**DO NOT USE SHARP INSTRUMENTS OR HOOKS TO PRY UP  
BOX COVER OR OPEN INNER PAK**

U  
AR 4421

- (5) REMOVE FIBERBOARD CONTAINER BY HANDLE
- (6) PULL FLAP AT NOSE END OF BARRIER BAG AND OPEN TO EXPOSE CONTAINER END
- (7) PULL PREPARED TEAR STRIPS OFF CONTAINER END AND REMOVE COVER
- (8) REMOVE CUSHIONING AND WEAPON



FACE AREA OF LEAST  
HAZARD

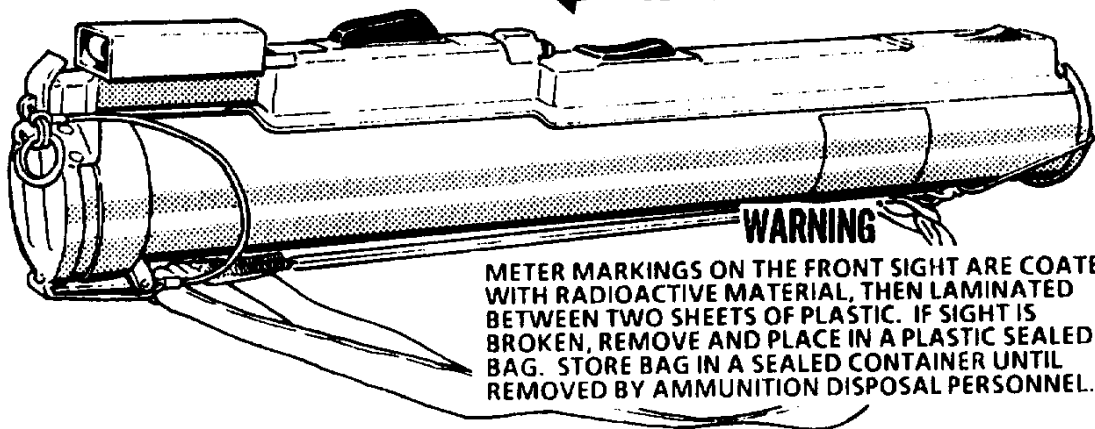
FOLLOWING APPLIES TO TACTICAL AND PRACTICE WEAPONS

CHECK EACH WEAPON SYSTEM FOR

CRACKED TUBE  
DENTED PARTS  
MISSING PARTS  
LOOSE PARTS

FRAYED SLING  
LOOSE OR BENT REAR HOOK  
LOOSE OR DAMAGED SAFETY MECHANISMS  
BLURRED OR INCORRECT NOMENCLATURE

 **TRIGGER SAFETY HANDLE MUST  
BE IN SAFE POSITION**



**WARNING**  
DO NOT EXTEND LAUNCHER UNTIL READY FOR USE

U  
AR 4423

FOR TACTICAL WEAPONS ONLY.

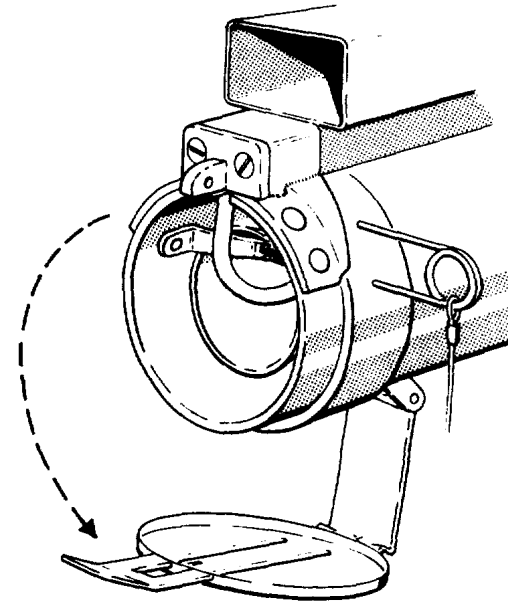
**IF TIME PERMITS**

**CHECK IGNITER FOR DAMAGE  
(BROKEN, CRACKED OR SPLIT)**

(SEE INSTRUCTIONS FOR REMOVING CARRYING SLING)

**IF SO DAMAGED**

**TAPE DAMAGED IGNITERS TO PREVENT LOSS OF IGNITION  
MATERIAL. REPLACE SLING ASSEMBLY. CLOSE REAR COVER  
AND REPLACE PULL PIN.**



U  
AR 4424



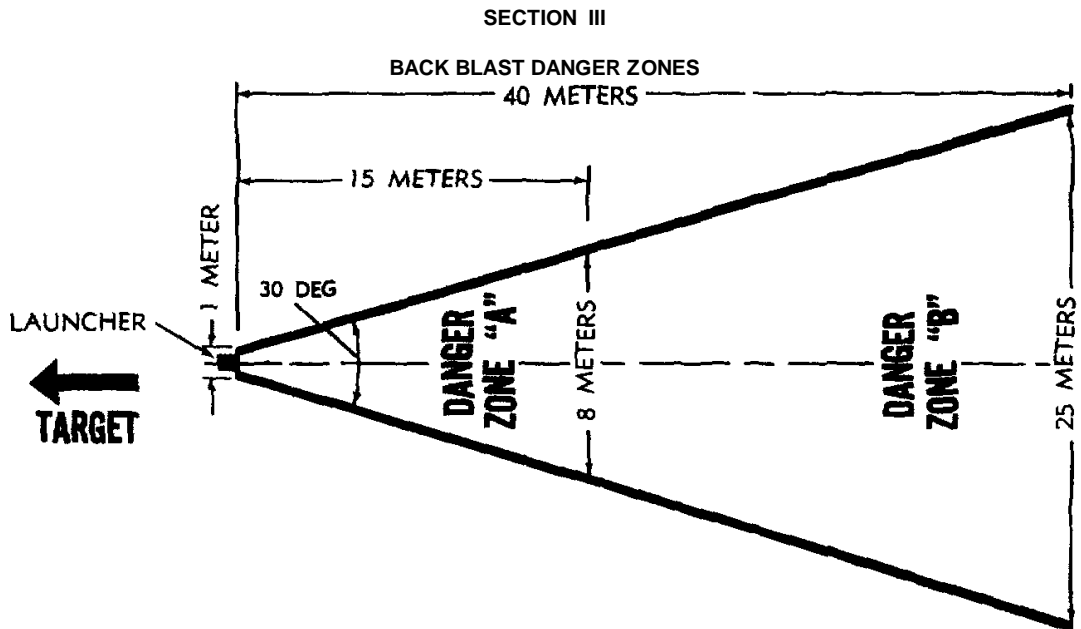
SECTION II  
CARRYING POSITION

TO CARRY  
SLING OVER SHOULDER

WARNING

DO NOT CARRY WEAPON IN EXTENDED POSITION.





## WARNING

### DO NOT FIRE UNLESS..

1. Back blast area is clear of personnel and obstructions.
2. Body extremities are clear of Rocket exhaust end.

### ZONE "A"

DANGER IN THIS AREA FROM BLAST, HEAT, AND PROJECTED MATERIALS.

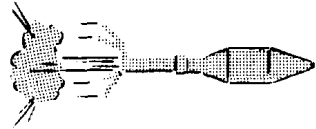
### ZONE "B"

DANGER IN THIS AREA FROM PROJECTED MATERIALS

## SECTION IV

### PREPARATION FOR FIRING

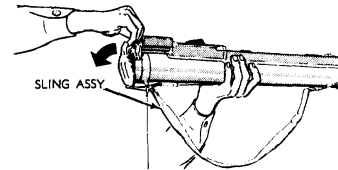
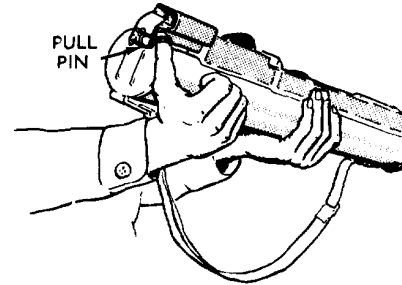
All weapons



(1) The following Steps Are Performed At The Firing Point.

(2) REMOVE PULL PIN

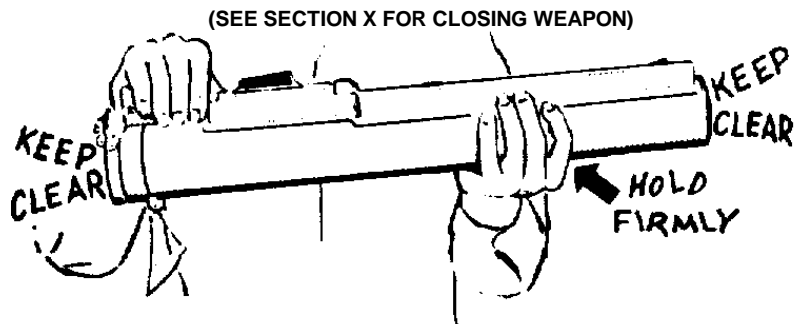
(3) SWING COVER DOWN



SLING FALLS FREE

U  
AR 4427

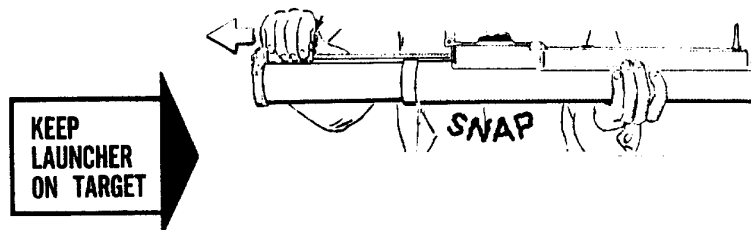
IF TWO ATTEMPTS TO LOCK LAUNCHER OPEN FAIL - CLOSE AND SET SYSTEM ASIDE FOR DISPOSAL BY AUTHORIZED AMMUNITION PERSONNEL



(4) HOLD LAUNCHER SLIGHTLY AWAY BODY

(5) GRASP REAR SIGHT COVER - HOLD FIRMLY

BE SURE LAUNCHER SNAPS INTO "LOCKED POSITION"



(6) EXTEND BY PUSHING OUT WITH RIGHT HAND

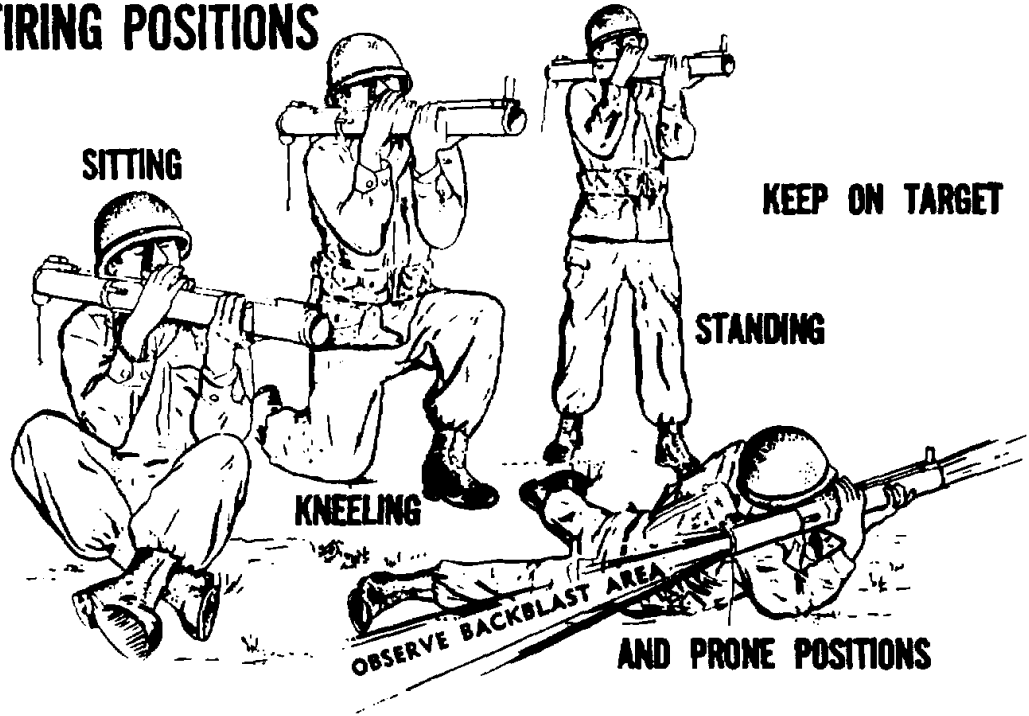
WARNING EXTENDING THE WEAPON TOO SLOWLY CAN RESULT IN FAILURE TO COCK THE WEAPON

U  
AR4428

SECTION V

FIRING POSITIONS

FIRING POSITIONS



## SECTION VI

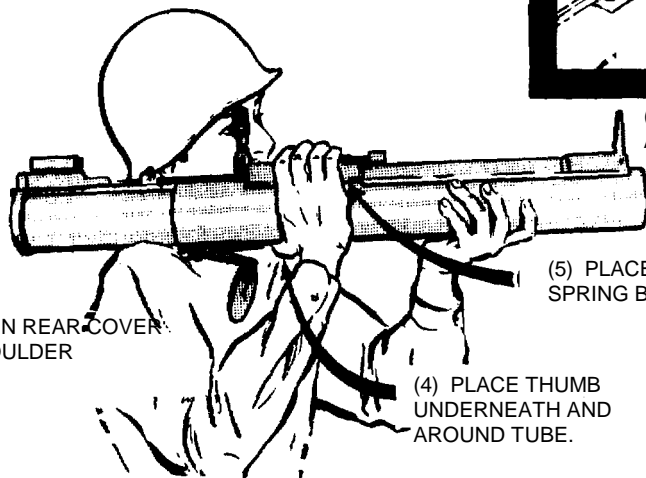
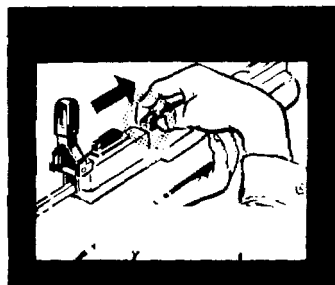
READY

WARNING

WEAR EAR PLUGS WHEN FIRING THE WEAPON.

**WARNING**  
WEAR EAR PLUGS WHEN FIRING THE WEAPON

- (2) PLACE SIGHT AT EASY READING DISTANCE.

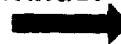


- (1) REST OPEN REAR COVER AGAINST SHOULDER

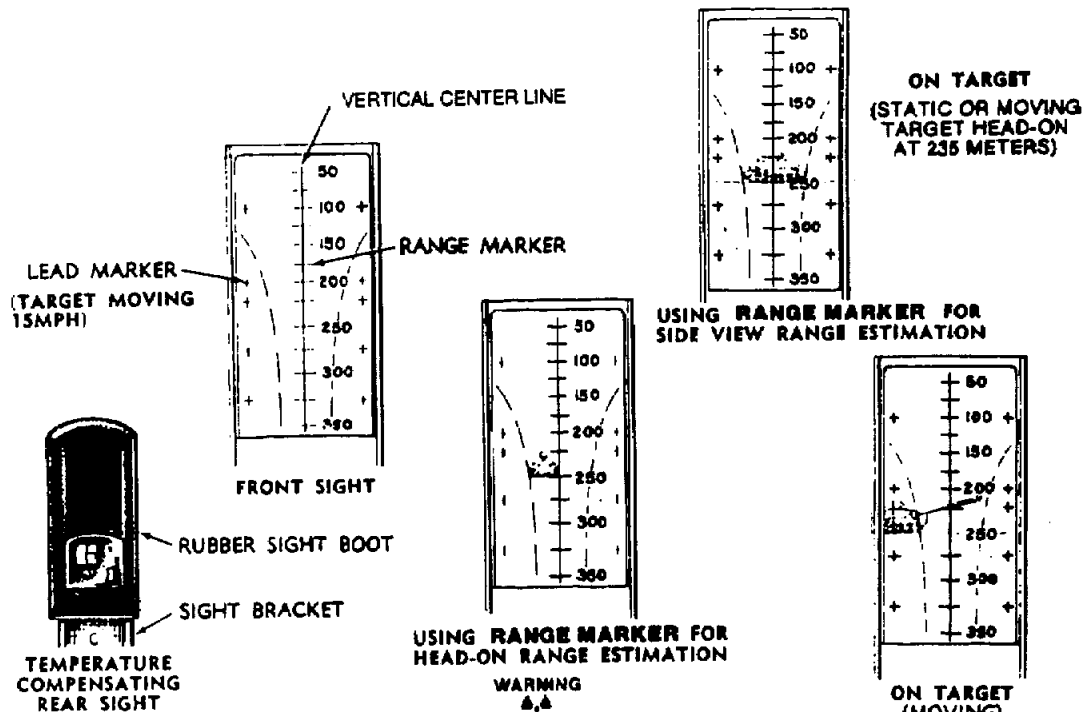
- (3) MOVE SAFETY TO ARM

- (5) PLACE FINGERTIPS ON TRIGGER SPRING BOOT AS FAR BACK AS POSSIBLE.

**TARGET**



## SECTION VII AIM



SIGHTS CONTAIN RADIOACTIVE MATERIAL TO AID IN NIGHT FIRING (EXCEPT M72A8). SEE WARNING ON INSIDE COVER.

U  
AR 4431

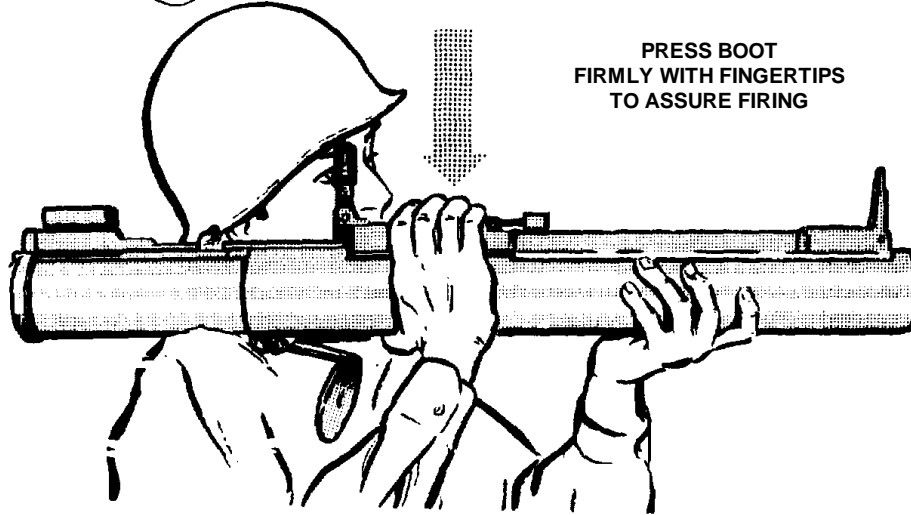
SECTION VIII

FIRE

KEEP LAUNCHER  
ON TARGET  
IF SYSTEM DOES  
NOT FIRE FOLLOW  
INSTRUCTIONS IN  
SECTION  
1A

(6) SQUEEZE TRIGGER BY DEPRESSING  
TRIGGER SPRING BOOT

PRESS BOOT  
FIRMLY WITH FINGERTIPS  
TO ASSURE FIRING

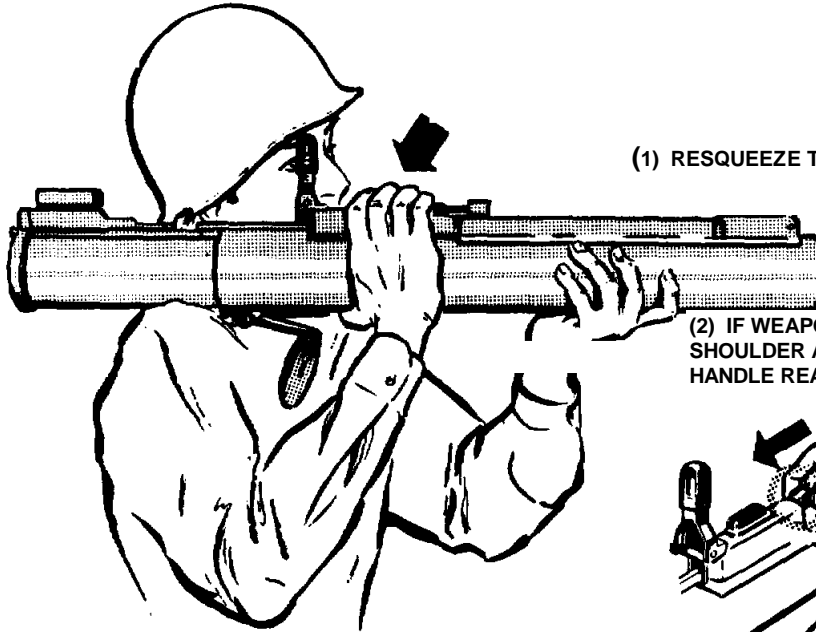


U  
AR 4432



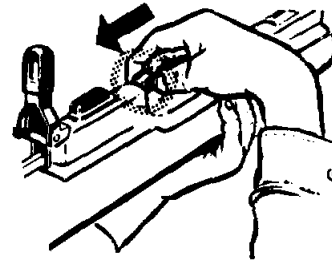
SECTION IX

FAILURE OF WEAPON TO FIRE IMMEDIATELY



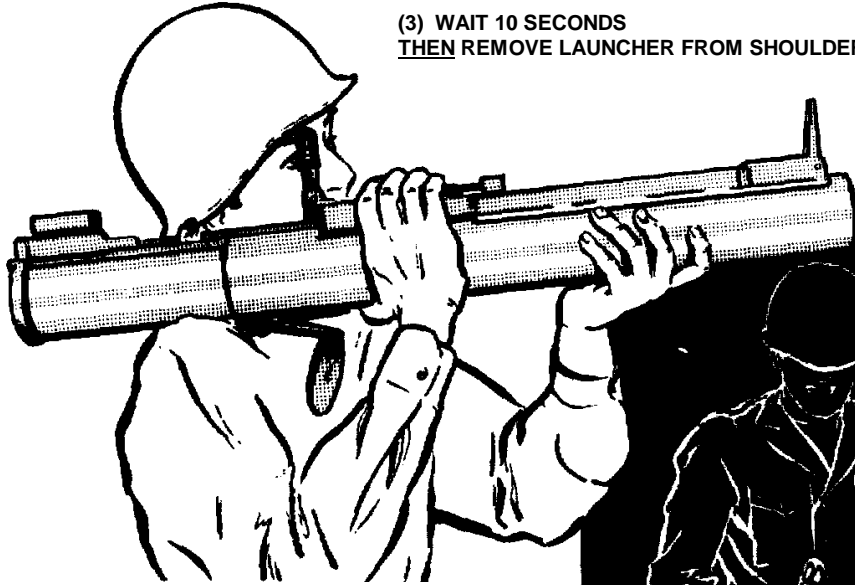
(1) RESQUEEZE TRIGGER FIRMLY

(2) IF WEAPON DOES NOT FIRE KEEP ON SHOULDER AND PUSH TRIGGER SAFETY HANDLE REARWARD TO "SAFE" POSITION



U  
AR 4433

(3) WAIT 10 SECONDS  
THEN REMOVE LAUNCHER FROM SHOULDER

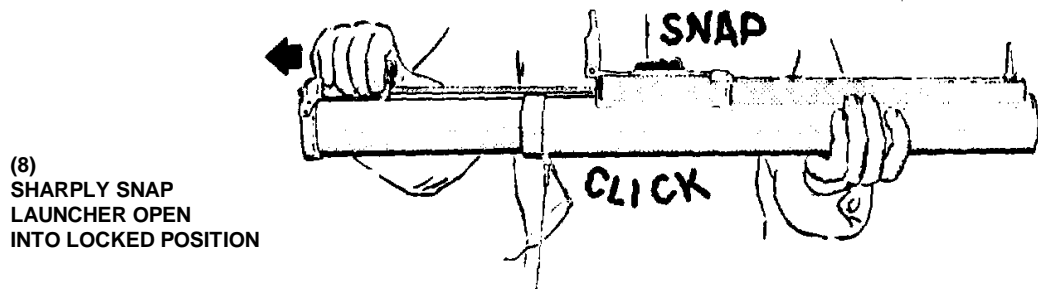
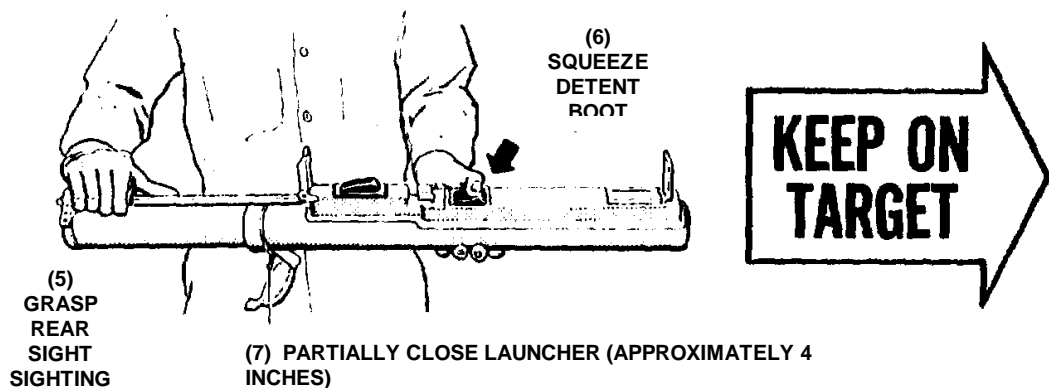


(4) WAIT 1 MINUTE BEFORE RECOCKING

If time is not available lay weapon pointing at target -  
abandon



U  
AR 4434



(9) PLACE LAUNCHER BACK ON SHOULDER

**KEEP  
LAUNCHER  
ON  
TARGET**



(10) PULL SAFETY FORWARD TO "ARM"

(11) AIM

(12) DEPRESS TRIGGER BOOT FIRMLY TO FIRE

**IF A RECOCKED WEAPON WHICH  
HAS MISFIRED STILL DOES  
NOT FIRE, PUSH TRIGGER  
SAFETY HANDLE TO "SAFE"  
POSITION AND WAIT  
10 SECONDS**

**THEN**

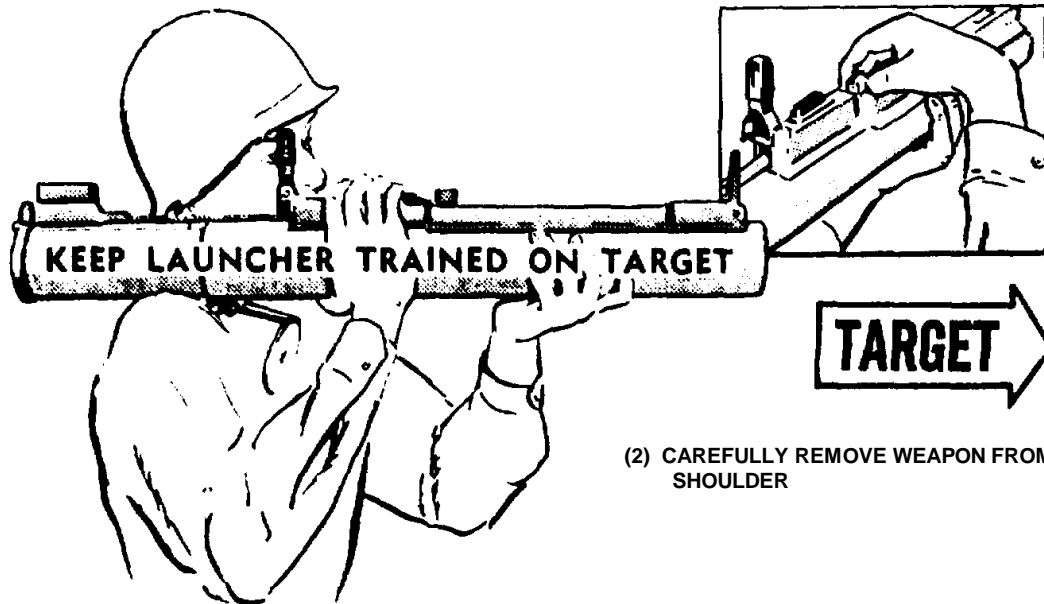
**CAREFULLY LAY WEAPON ON GROUND FACING  
TARGET AND EVACUATE AREA**

**NOTIFY AUTHORIZED DISPOSAL MUNITION  
PERSONNEL FOR DISPOSAL OF WEAPON**

SECTION X

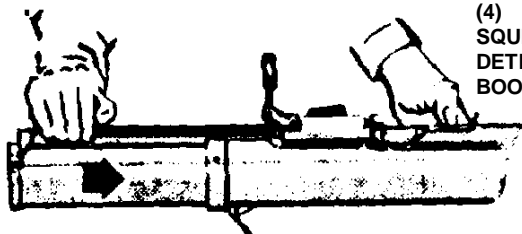
PREPARED FOR - BUT NOT FIRED

(1) RETURN SAFETY TO SAFE

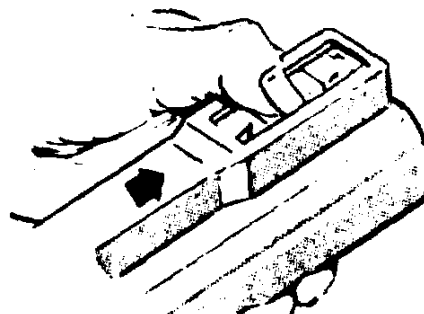


(2) CAREFULLY REMOVE WEAPON FROM SHOULDER

- (3) GRASP LAUNCHER  
BY REAR SIGHT  
HOUSING



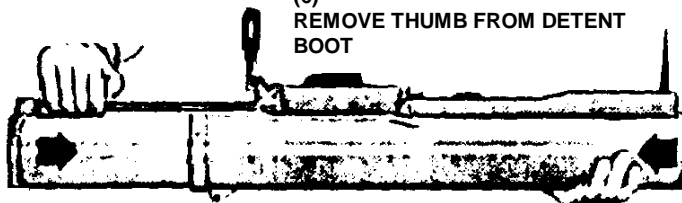
- (4) SQUEEZE  
DETENT  
BOOT



- (8) COMPRESS UNTIL  
EDGE OF INNER TUBE  
TOUCHES THUMB LIGHTLY

- (5) SLIDE INNER TUBE INTO OUTER  
TUBE APPROXIMATELY TWO  
INCHES

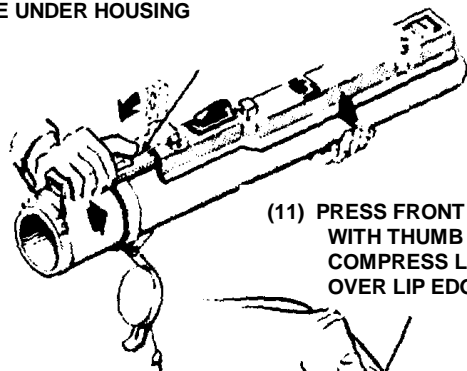
- (6) REMOVE THUMB FROM DETENT  
BOOT



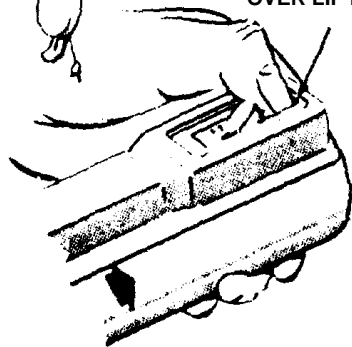
PERFORM ALL COMPRESSION ACTIONS  
SLOWLY TO AVOID INJURY TO FINGERS

U  
AR 4438

(9) FOLD DOWN REAR SIGHT  
AND GUIDE UNDER HOUSING

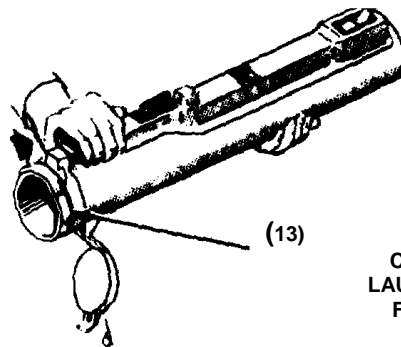


(11) PRESS FRONT SIGHT LIP  
WITH THUMB AND SLOWLY  
COMPRESS LAUNCHER  
OVER LIP EDGE



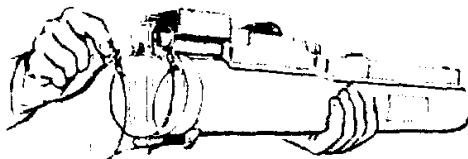
(10) COMPRESS LAUNCHER UNTIL TRAVEL IS  
STOPPED BY LIP ON FRONT SIGHT

(12) REMOVE THUMB FROM  
FRONT SIGHT AND GRASP  
HOUSING



(13)  
CLOSE  
LAUNCHER  
FULLY

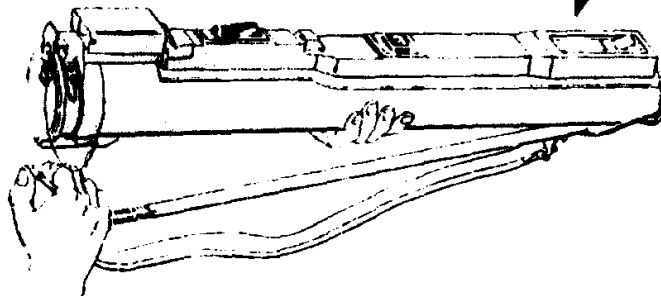
(14)  
REPLACE COVER PIN



KEEP LAUNCHER  
POINTED DOWN RANGE

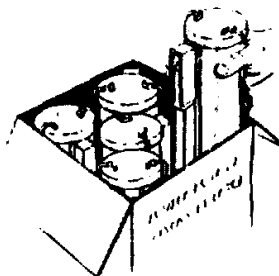


(15) REPLACE BUFFER PLATE  
(M72A3 ONLY)



(16)  
REPLACE SLING ASSEMBLY

LAUNCHER AND PACKING  
SHOULD BE MARKED OR  
TAGGED TO INDICATE  
LAUNCHER HAS BEEN  
EXTENDED



WHEN POSSIBLE  
ONCE - EXTENDED  
LAUNCHER SHOULD  
BE RETURNED TO  
ORIGINAL PACKING



**CHAPTER 3**

**MAINTENANCE**

**SECTION I**

**OPERATOR MAINTENANCE**

**NORMAL CONDITION**

KEEP LAW CLEAN AND DRY

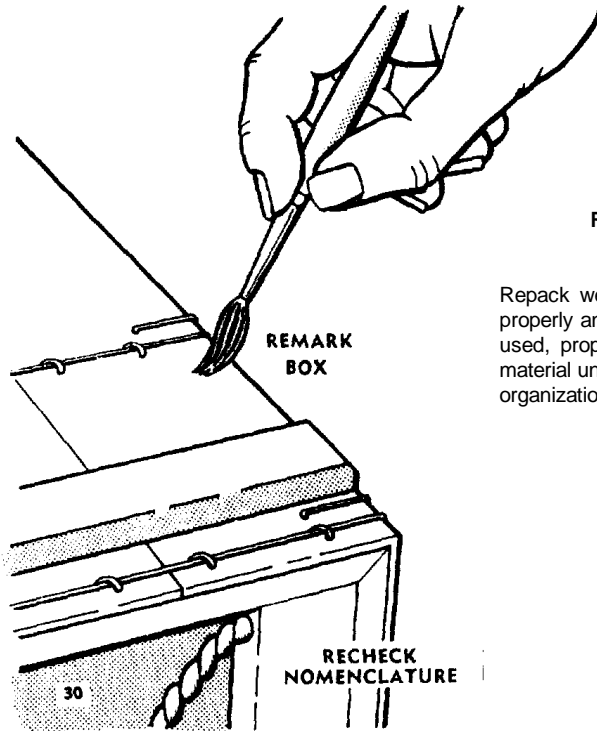
**UNUSUAL CONDITIONS**

PROTECT LAW FROM MOISTURE,  
SNOW, SLEET, CLEAN AS REQUIRED

U  
AR 4441

## SECTION II

### REPACK



### RETURN ALL DEFECTIVE WEAPON SYSTEMS TO AUTHORIZED MUNITIONS PERSONNEL

Repack weapon system in original packing box. Make sure box is properly and clearly marked. If box other than original packing box is used, properly mark container to indicate contents. Protect packed material until shipped. Ship all packed launchers or systems to issuing organization or other authorized personnel as soon as possible

### EXERCISE CARE IN RETURN OF USED LAUNCHERS AS THEY WILL BE REWORKED INTO THE PRACTICE WEAPON SYSTEM

U  
AR 4442



THIS PAGE LEFT INTENTIONALLY BLANK

☆ U. S. GOVERNMENT PRINTING OFFICE: 1993 - 342-421 (81131)

U  
AR 4444

# WE NEED TO KNOW

ERROR, OMISSION OR  
SUGGESTION FOR IMPROVEMENT

PLEASE WRITE

Commander  
U.S. Army Armament, Munitions  
and Chemical Command  
ATTN: AMSMC-MAY-T (D)  
Picatinny Arsenal, NJ 07806-5000

USE DA FORM 2028



**MALFUNCTION REPORTS**  
MALFUNCTION REPORTS TO BE SUBMITTED  
IN ACCORDANCE WITH AR 75-1

**\*TM 9-1340-214-10**

TECHNICAL MANUAL

NO. 9-1340-214-10

HEADQUARTERS  
DEPARTMENT OF THE ARMY  
Washington, DC, 31 May 1991

By Order of the Secretary of the Army:

CARL E. VUONO  
*General, United States Army*  
*Chief of Staff*

Official:


THOMAS F SIKORA  
*Brigadier General, United States Army*  
*The Adjutant General*

Distribution:

To be distributed in accordance with DA Form 12-40E, Block 0528, Operator Maintenance Requirements for 66MM Light Antitank Weapon (LAW) System M72A1, M72A2 With Coupler, M72A3 and Practice Rocket Launcher M190 With M73 Practice Rocket.

\* This manual supersedes TM 9-1340-214-10, dated January 1986.

## RECOMMENDED CHANGES TO EQUIPMENT TECHNICAL PUBLICATIONS

 <p>THEN...JOT DOWN THE DOPE ABOUT IT ON THIS FORM. CAREFULLY TEAR IT OUT, FOLD IT AND DROP IT IN THE MAIL.</p>				<b>SOMETHING WRONG WITH PUBLICATION</b>	
				FROM: (PRINT YOUR UNIT'S COMPLETE ADDRESS)	
				DATE SENT	
PUBLICATION NUMBER			PUBLICATION DATE	PUBLICATION TITLE	
<b>BE EXACT PIN-POINT WHERE IT IS</b>				<b>IN THIS SPACE, TELL WHAT IS WRONG AND WHAT SHOULD BE DONE ABOUT IT.</b>	
PAGE NO.	PARA-GRAPH	FIGURE NO.	TABLE NO.		
PRINTED NAME, GRADE OR TITLE AND TELEPHONE NUMBER				SIGN HERE	

DA FORM 1 JUL 79 2028-2

PREVIOUS EDITIONS ARE OBSOLETE.

P.S.--IF YOUR OUTFIT WANTS TO KNOW ABOUT YOUR RECOMMENDATION MAKE A CARBON COPY OF THIS AND GIVE IT TO YOUR HEADQUARTERS.

