

**UNITED STATES MARINE CORPS**  
School of Infantry  
Training Command  
PSC Box 20161  
Camp Lejeune, NC 28542-0161

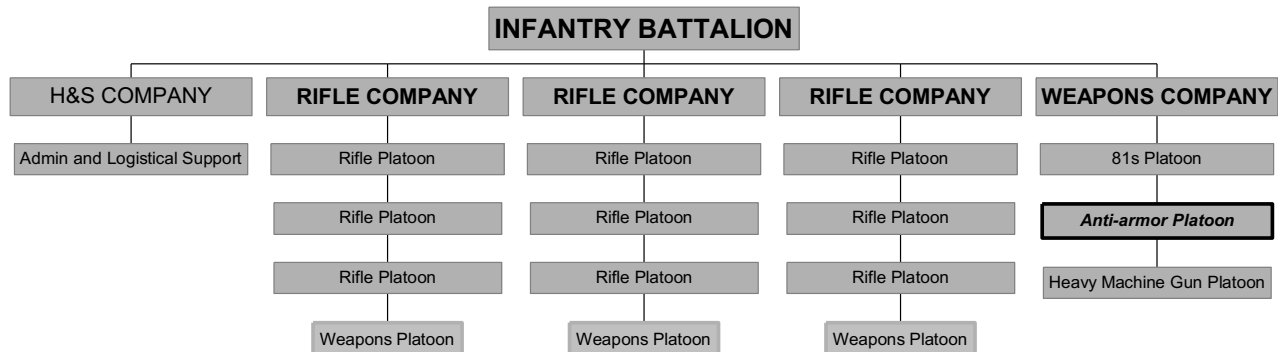
AT1500  
02 Sep 05

**STUDENT OUTLINE**

**INTRODUCTION TO AN ANTI-TANK ASSAULT GUIDED MISSILEMAN**

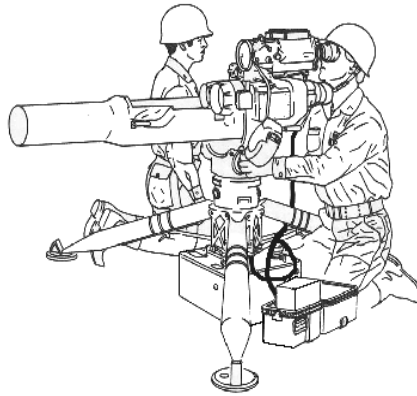
**LESSON PURPOSE.** The purpose of this lesson is to discuss the organization and responsibilities of an Anti-Tank Section in an Infantry Weapons Company. The lesson also discusses the basic concepts of anti-armor warfare as these concepts pertain to Marine Corps anti-armor operations.

**1. LOCATION OF THE ANTI-ARMOR PLATOON.** The anti-armor platoon is located in a weapons company of an infantry battalion. They provide both medium and long-range anti-armor support for the infantry battalion. This support is for the destruction of enemy armor, to include tanks, armored personnel carriers, and armored support vehicles. They may also be assigned to an anti-armor team to provide support against point targets such as bunkers and crew served weapons positions. The anti-armor platoon is made up of two sections, the TOW section and the Javelin section.

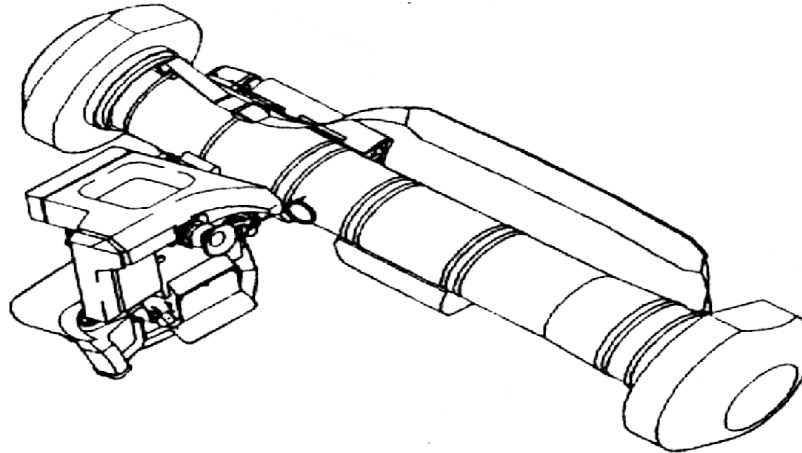


**2. ANTI-ARMOR WEAPONS.** There are two anti-armor weapons organic to the Weapons Company in an infantry battalion. These weapons are:

a. **TOW.** The TOW (Tube-launched, Optically tracked, Wire-command-link guided missile system) is the heavy anti-armor weapon system (HAW) organic to the tank battalion, which is made up of one platoon with twenty-four launchers, the light armored reconnaissance battalion with sixteen anti-tank LAV's, and the infantry battalion having one 8 gun section per Weapons Company. The TOW section is made up of a Command element and two squads, with a total of 22 Marines. Each squad is made up of for 4 TOW's, 2 teams of two TOW's each. The TOW has a maximum range of 3,750 meters.



b. Javelin. The Javelin is a fire-and-forget, man-portable medium anti-tank weapon that consists of a Command Launch Unit (CLU) and encased missile. The infantry battalion has one 8-gun section in Weapons Company. The range of the Javelin is 2,000 meters.



(1) Infantry Battalion Combined Anti-Armor Team (CAAT) Platoon. Infantry battalion Combined anti-armor Platoon with TOW's are more commonly called Combined Anti-Armor Teams (CAAT). A CAAT platoon in today's weapons company, ideally, will have nine vehicles: four TOW variant HMMWVs and five machinegun variant HMMWVs. The platoon is broken up into two sections, each consisting of two teams of two vehicles (1) TOW and (1) machinegun. The fifth machinegun HMMWV is the Platoon Commander's vehicle. This organization is often modified depending on specific assigned missions and unit specified standard operating procedures (SOP). However, TOW's should always be employed in no less than pairs at any time. In pairs, TOW's can overcome their slow rate of fire. One TOW alone will be ineffective and become overrun in all but the most restricted of terrain.

(2) Javelin Section. The Javelin section is made up of a Command element and two squads, with a total of 16 Marines. The section can provide

general support for the battalion, but will most often be used as direct support for a rifle company.

### **3. Table of organization for TOW and javelin Sections**

#### a. Anti-Armor section.

1. Command Element. The command element consists of the following:

- (a) One Platoon Commander: 1<sup>st</sup> Lieutenant (0302).
- (b) One Platoon Sergeant: Gunnery Sergeant/Staff Sergeant (0369).
- (c) Two Section Leaders: Staff Sergeant (0369).

#### b. TOW section.

2. 2 Squads. A squad consists of the following:

- (a) One squad leader: Sergeant (0352)
- (b) Two Team Leaders: Corporal (0352)
- (c) Four gunners: Lance Corporal (0352)
- (d) Four A-gunners: Lance Corporal or below (0352)

#### b. Duties Within the TOW Section.

(1) Section Leader. The section leader (0369/SSGT) is responsible for the following tasks:

- (a) Carrying out the orders of the platoon commander.
- (b) The discipline, appearance, training, control, conduct, and welfare of the section at all times.
- (c) The tactical employment, fire discipline, fire control, and maneuver of his section.
- (d) The condition, care, and economical use of his section's weapons and equipment.
- (e) Advising the platoon commander on the most effective tactical use of the Tow 2 missile system.

(2) Squad Leader. (0352/Sgt) Two Marines within the TWO section are squad leaders. A squad leader is responsible for the following tasks:

- (a) Carries out the orders of the section leader.

(b) Performs first echelon maintenance on the TOW 2 weapon system.

(c) The proper identification of armored fighting vehicles and targets of opportunity.

(d) The engagement of targets while in the support of an attack or defense.

(2) Team Leader. (0352/Cpl) Four Marines within the TOW section are team leaders. A team leader is responsible for the following tasks:

(a) Carries out the orders of the squad leader.

(b) Performs first echelon maintenance on the TOW 2 weapon system.

(d) The proper identification of armored fighting vehicles and targets of opportunity.

(e) The engagement of targets while in the support of an attack or defense.

(4) Gunner. (0352/LCpl) Eight Marines within the TOW section are gunners. A gunner is responsible for the following tasks:

(a) Carries out the orders of the Team leader.

(b) Performs first echelon maintenance on the TOW 2 weapon system.

(c) Prepares the TOW 2 weapon system for firing.

(d) The proper identification of armored fighting vehicles and targets of opportunity.

(e) The engagement of targets while in the support of an attack or defense

(4) Assistant Gunner/Ammo Man. (0352/PVT-LCPL) The remaining eight Marines are the assistant-gunners/ammo men. Their duties are:

(a) Carries out the orders of the gunner.

(b) Assists with the performance of first echelon maintenance on the TOW 2 weapon system.

(c) Carries additional missiles.

(d) Assume the gunner's responsibilities if the gunner becomes a casualty.

(d) Ensure the back blast area is secure.

(5) Driver. (0352/Pvt-LCpl) One Marine will be designated as the team's driver. His duties are as follows:

- (a) Carries out the orders of the team leader.
- (b) Performs first echelon maintenance on the vehicle assigned to the section.
- (c) Assists in the re-supply of missiles to the TOW gun teams.

c. Javelin Section.

1. Command Element. The command element consists of the following:

- (a) One section leader: staff sergeant (0369).
- (b) One driver: private (0352).

2. Squad. A squad consists of the following:

- (a) One squad leader: sergeant (0352)
- (b) Three gunners: corporal (0352)
- (c) Three A-gunners: lance corporal or below (0352)

b. Duties Within the Javelin Section.

(1) Section Leader. The section leader (0369/SSGT) is responsible for the following tasks:

- (a) Carrying out the orders of the platoon commander.
- (b) The discipline, appearance, training, control, conduct, and welfare of the section at all times.
- (c) The tactical employment, fire discipline, fire control, and maneuver of his section.
- (d) The condition, care, and economical use of his section's weapons and equipment.
- (e) Advising the platoon commander on the most effective tactical use of the Javelin missile system.

(2) Squad Leader/Gunner. (0352/Sgt) Two Marines within the Javelin section are squad leader/gunners. A squad leader/gunner is responsible for the following tasks:

- (a) Carries out the orders of the section leader.

(b) Performs first echelon maintenance on the Command Launch Unit.

(c) Prepares the Javelin for firing.

(d) The proper identification of armored fighting vehicles and targets of opportunity.

(e) The engagement of targets while in the support of an attack or defense.

(3) Gunner. (0352/Cpl) Six Marines within the Javelin section are gunners. A gunner is responsible for the following tasks:

(a) Carries out the orders of the Squad leader.

(b) Performs first echelon maintenance on the Command Launch Unit.

(c) Prepares the Javelin for firing.

(d) The proper identification of armored fighting vehicles and targets of opportunity.

(e) The engagement of targets while in the support of an attack or defense

(4) Assistant Gunner/Ammo Man. (0352/PVT-LCPL) The remaining eight Marines are the assistant-gunners/ammo men. Their duties are:

(a) Carries out the orders of the gunner.

(b) Assists with the performance of first echelon maintenance on the Command Launch Unit.

(c) Carries additional missiles.

(d) Assume the gunner's responsibilities if the gunner becomes a casualty.

(e) Ensure the back blast area is secure.

(5) Driver. (0352/Pvt) One Marine will be designated as the section's driver. His duties are as follows:

(a) Carries out the orders of the section leader.

(b) Performs first echelon maintenance on the vehicle assigned to the section.

(c) Assists in the re-supply of missiles to the Javelin gun teams.

**4. WEAPONS AND EQUIPMENT ORGANIC TO THE TOW AND JAVELIN SECTIONS.** In addition to the Marine's personal and mission essential gear he may be carrying the follow equipment:

a. Section leader

- (1) M9 9mm Pistol.
- (2) K-BAR.
- (3) Lensatic compass.
- (4) Binoculars.

b. Squad Leader/Gunner

- (1) M-16A4 rifle.
- (2) M-7 or M-9 bayonet.
- (3) Command Launch Unit (CLU).
- (4) TOW/Javelin missile.

c. Assistant gunner

- (1) M-16A4 rifle.
- (2) M-7 or M-9 bayonet.
- (3) TOW/Javelin missile.

d. Driver

- (1) M-16A4 rifle.
- (2) M-7 or M-9 bayonet.

**5. MISSION OF ANTI-ARMOR WARFARE.** Anti-armor warfare is a two-fold mission. The primary mission of anti-armor warfare is to destroy enemy armored vehicles, such as tanks, infantry fighting vehicles (IFV), armored personnel carriers (APC), and other support vehicles. This is accomplished by initiating mass anti-armor weapons fire. Anti-armor weapons have a secondary mission to provide fire support against point targets such as bunkers and crew-served weapons.

**References: FM 23-34, TOW Weapon System pages 1-1, 1-2, and 3-1 through 3-6. FMFM 2-11, Table of Organization Number 1027H T/O 1027H**