

UNITED STATES MARINE CORPS
School of Infantry
Training Command
PSC Box 20161
Camp Lejeune, NC 28542-0161

AT1403
04 AUG 2004

STUDENT OUTLINE

PREPARE A JAVELIN WEAPON SYSTEM FOR FIRING

TERMINAL LEARNING OBJECTIVE

1. Given a M98A1 Javelin encased missile, inspect an M98A1 Javelin round in accordance with TM 09397B-12/1. (51TR.02.02)
2. Given a SL-3 complete, M98A1 Javelin command launch unit and an encased missile, prepare a M98A1 Javelin for firing in accordance with TM 09397B-12/1. (51TR.02.03)

ENABLING LEARNING OBJECTIVES

1. Given a SL-3 complete, M98A1 Javelin command launch unit and encased missile, demonstrate the four Javelin firing positions in accordance with TM 09397B-12/1. (51TR.02.03b)
2. Given a SL-3 complete, M98A1 Javelin command launch unit and an encased missile, assemble the Javelin in accordance with TM 09397B-12/1. (51TR.02.03c)
3. Given a SL-3 complete, M98A1 Javelin command launch unit and an encased missile, prepare the Javelin to fire in accordance with TM 09397B-12/1. (51TR.02.03d)
4. Given a SL-3 complete, M98A1 Javelin command launch unit and an encased missile, operate the night vision sight in accordance with TM 09397B-12/1. (51TR.02.03e)
5. Given a SL-3 complete, M98A1 Javelin command launch unit and an encased missile, restore a Javelin to carrying configuration in accordance with TM 09397B-12/1. (51TR.02.03f)

1. **INSPECT A JAVELIN ROUND.** Before attaching the CLU to the round, you should inspect the round for serviceability. Notify your squad leader of any damages you find.
 - a. Inspect the forward end cap for damage.
 - b. Inspect the guide pin of the forward end cap for damage.
 - c. Remove forward end cap and inspect seeker dome for damage.

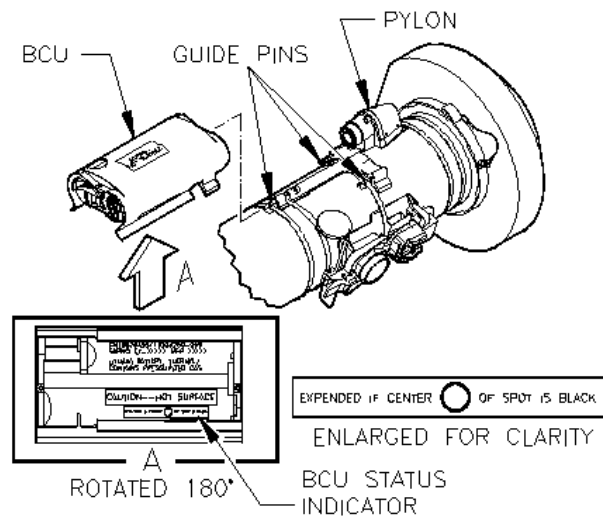
d. Replace the forward end cap.

e. Inspect the BCU status indicator for serviceability of the BCU.

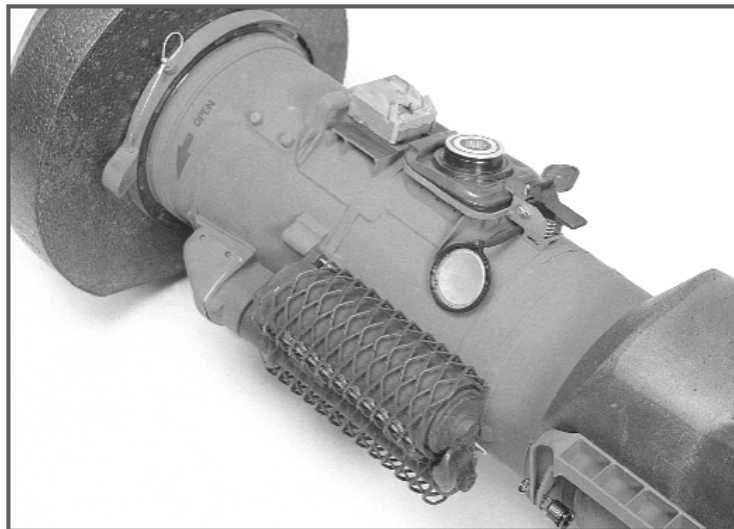
(1) If the BCU status indicator is white then the BCU is serviceable and can be used.

(2) If the BCU status indicator is black, then the BCU has been expended and cannot be used. You will need to replace the BCU before engagement can be possible.

f. Inspect the BCU for damage.



g. Inspect the latch assembly for damage.



h. Inspect the CLU interface connector for damage.

i. Inspect the bracket for damage.

- j. Inspect the latch release for damage.
- k. Inspect the shoulder pad for damage.
- l. Inspect the shoulder strap for damage.
- m. Inspect the rear end cap for damage.

(1) Inspect the membrane on the back of the rear end cap to ensure it is present and not damaged.

n. Inspect the launch tube assembly for damage. Damage to the launch tube could include, cracks, dents, major scrapes, and punctures.

2. JAVELIN CARRY CONFIGURATIONS. The Javelin can be carried using one of three techniques: The long-distance, short-distance, or tactical carry technique.

a. Long-distance Carry Technique. The long-distance carry technique is used when contact is not likely and the Javelin is not required for immediate use. The long-distance carry technique is not recommended for use in densely wooded areas or in heavy underbrush. Because of the location of the round (on top of the ALICE pack), the gunner's center of gravity is raised to the point that he is very top-heavy. Also, because the gunner cannot see the ends of the round, he is likely to encounter hardship in negotiating narrow passages.

(1) CLU Carry Position

(a) Place CLU in carry bag.

(b) The carry bag is carried on the gunner's left side with the shoulder strap over the left shoulder or across the chest.

(c) A second strap may be used on the carry bag to fasten it to the gunner's waist. This prevents the carry bag from bouncing when the gunner walks.



LONG DISTANCE CARRY

(2) Stow the Round on ALICE Pack (MOLLE Pack)

(a) Place the ALICE pack on the ground with the frame face down and the top of the pack facing away.

(b) Locate the two long web straps, which extend from the top of the frame and across the front of the pack.

(c) Open the straps to form a loop at the top of the ALICE pack frame.

(d) Pick up the round and slide it through the strap loops.

(e) Position the round so that the shoulder pad is at the top, center of the frame.

(f) Tighten the straps by pulling up on the ends. Continue this process until the straps are tight.

(g) When the ALICE pack is placed on the back, the round should be well balanced with the weight distributed across the top of the frame. The round should be parallel to the ground.



STOW THE ROUND

b. Short-Distance Carry Technique. The short-distance carry technique is used when enemy contact is possible.

(1) The CLU is in the carry bag. The carry bag is carried on the gunner's left side with the shoulder strap over the left shoulder or across the chest.

(2) In the short-distance carry technique, the round is carried on the gunner's right side with the shoulder strap over the right shoulder. The forward end cap is pointed down with the round behind the right shoulder, parallel to the gunner's body. The gunner's right hand may be placed on the shoulder strap to help keep the strap on his shoulder.



SHORT DISTANCE CARRY

c. Tactical Carry Technique. The tactical carry technique is used when moving between firing locations and enemy contact is likely.

(1) The CLU and round are connected. The Javelin is carried on the right shoulder with one hand on the handgrip and the other hand on top of the round.

(2) The round should be roughly parallel to the ground so that the gunner can guard it from damage during movement.



TACTICAL CARRY

3. ASSUME A JAVELIN FIRING POSITION

a. Kneeling position

(1) Kneel on the left side of the Javelin at the forward end, facing in the direction of fire.

(2) Have gunner check the back blast area. Ensure no one is located in the back blast area.

(3) Grasp the left handgrip with left hand. Place right hand under the round near the shoulder pad.

(4) Lift the Javelin in a single, smooth motion and position the shoulder pad on your right shoulder. Do not to put your finger on the seeker trigger when lifting the Javelin. This will prevent an accidental activation of the missile seeker.

(5) Kneel in the most comfortable position, with one knee or both knees on the ground.

(6) Hold the CLU by the right handgrip and adjust your body until comfortable with the Javelin.

(7) Next, check the overhead flight path between the target and your firing position. To do this, sight along the top of the round. As long as all obstacles are above the line of the round, the missile has a clear path when it is launched.

(8) After assuming the kneeling position, ensure that the forward end cap is on the ground, in front of and slightly to the right of right leg or foot. This ensures that it is out of the back blast area and that it is within easy reach to set your front end of the round on the end cap if removing the Javelin from your shoulder.

(9) Remove the Javelin from your shoulder and place it on the ground, pointed toward the target area. Rest it on the flat area of the aft end cap. Position the Javelin so that the handgrips point up and the open end of the round rests on the forward end cap.



ONE KNEE



BOTH KNEES

b. Sitting Position

(1) Sit or kneel on the left side of the Javelin at the forward end, direction of fire.

(2) Have gunner check the back blast area. Ensure no one is located in the back blast area.

(3) Grasp the left handgrip with your left hand. Place your right hand under the round near the shoulder pad.

(4) Lift the Javelin in a single, smooth motion and position the shoulder pad on your right shoulder. Once again, do not put your finger on the seeker trigger when lifting the Javelin.

(5) Get into a comfortable sitting position. You can sit with your legs crossed, or you can sit with your legs parallel and bent at the knees at approximately 90°. Use the position that is most comfortable for you.

(6) Hold the CLU by the right handgrip and adjust body until you are comfortable with the Javelin.

(7) Next, check the overhead flight path between the target and your firing position. To do this, sight along the top of the round. As long as all obstacles are above the line of the round, the missile has a clear path when it is launched.

(8) After assuming a sitting position, ensure that the forward end cap is on the ground, in front of and slightly to the right of your right leg or foot. This ensures that it is out of the back blast area and that it is within easy reach to set the front end of the round on the end cap when you remove the Javelin from your shoulder.

(9) Remove the Javelin from your shoulder and place it on the ground, pointed toward the target area. Rest it on the flat area of the aft end cap. Position the Javelin so that the handgrips point up and the open end of the round rests on the forward end cap.



LEGS CROSSED



KNEES BENT

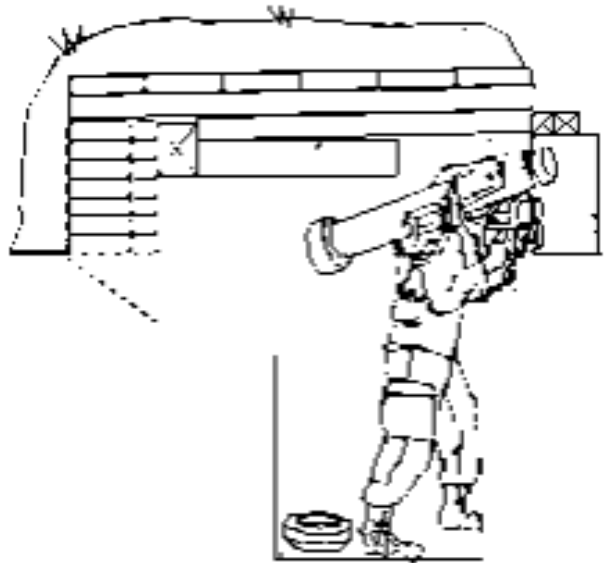
c. Standing Supported Position

- (1) Kneel on the left side of the Javelin at the forward end.
- (2) Have gunner check the back blast area.
- (3) Grasp the left handgrip with your left hand. Place your right hand under the round near the shoulder pad.
- (4) Lift the Javelin in a single, smooth motion and position the shoulder pad on your right shoulder.
- (5) Carefully rise to a standing position. Stand with your legs spread apart at a comfortable distance.
- (6) Hold the CLU by the right handgrip and place your elbows on the edge or rim of the fighting position.

(7) Next, check the overhead flight path between the target and your firing position. To do this, sight along the top of the round. As long as all obstacles are above the line of the round, the missile has a clear path when it is launched.

(8) After assuming a firing position, ensure that the forward end cap is on the ground, and slightly to the right of your right leg or foot.

(9) Remove the Javelin from your shoulder and place it on the ground. Rest it on the flat area of the aft end cap. Position the Javelin so that the handgrips point up and the forward end of the round rests on the forward end cap.

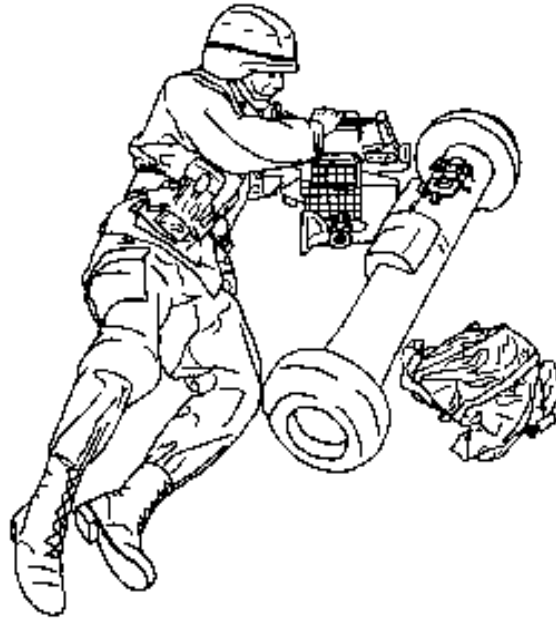


SUPPORTED STANDING

d. Prone Position

- (1) Set the round on the ground with the flat sides of the end caps face down. The round interface connector and latch assembly should be face up.
- (2) Ensure that the round points toward the target area.
- (3) Place the carry bag (with CLU) on the left side of the round by the forward end.
- (4) Lay on your left side along the left side of the round next to the carry bag. Maintain a low profile to limit observation of your movements.
- (5) Remove the CLU from the carry bag.

- (6) Turn the power switch to the NIGHT position.
- (7) Connect the CLU to the round.



CONNECTING THE CLU

(8) Remove the forward end cap. With the forward end cap removed, the seeker is exposed. Use extreme caution when tipping the Javelin forward to ensure that no foreign material (rocks, mud, etc.) comes in contact with the seeker.

(9) Place the forward end cap directly under the open end of the Javelin.

(10) Open the NVS and day sight lens covers.

(11) Check the back blast area. Ensure that no personnel are located in the primary danger zone or caution areas.

(12) Position your body so it is parallel with the Javelin with your left hand tightly on the left handgrip. Place your left hand on left handgrip helps to guide or keep the Javelin in control. Your right shoulder should be just behind the shoulder pad to balance the weight.

(13) Tilt the Javelin and your body to the left side. At the same time reach out with your right hand to secure the forward end cap. The forward end cap supports the Javelin's weight in the prone position.

(14) Grasp the forward end cap, hold it with the inside of the forward end cap facing toward the CLU, the outside facing toward the ground, and the flat side of the forward end cap facing up.

(15) Slide the forward end cap forward, until the forward end cap locking ring contacts the shock absorber on the battery compartment. This wedges the forward end cap into position.

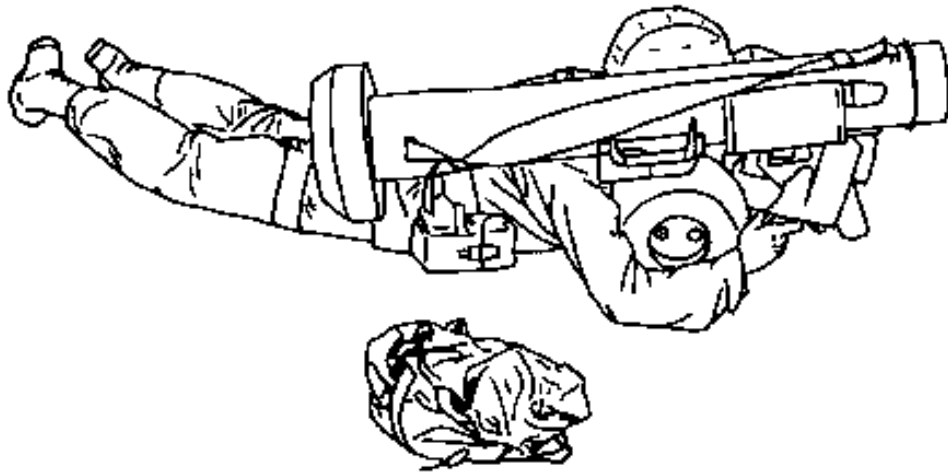
(16) Slowly lower the Javelin until it rests on the forward end cap. Slide your body forward so that your right shoulder is against the forward end cap.

(17) Ensure that you can reach the right handgrip switches and operate them easily.

(18) Ensure that the Javelin is supported by the forward end cap and is not resting on your shoulder.

(19) Pull the Javelin tightly into your body until the forward end cap fits against the right shoulder. Press your right eye into the eyecup.

(20) Place your body at a 30-degree angle to the length of the round (intended direction of fire). This prevents your legs from extending into the back blast area. The A-gunner will ensure that gunner's body remains clear of the back blast area. The gunner can then balance the system on the ground using the forward end cap.



PRONE POSITION

4. **ASSEMBLE THE JAVELIN.** Before assembling the Javelin you must first prepare the components for assembling.

a. Prepare Javelin components

(1) Place the round on the ground with the flat sides of the end caps down.

(2) Place the carry bag on the ground on the left side of the round.

b. Remove the CLU from the carry bag

(1) Open the carry bag.

(2) Grasp the CLU by the handgrip and remove it from the carry bag.

(3) Install the BA-5590/U battery in the battery compartment.

c. Connect the CLU to the round. This procedure is used when the gunner prepares to fire from the sitting and the kneeling positions.

(1) Kneel on the left side of the round, at the forward end, facing forward.

(2) Remove the protective covers from the CLU and round interface connectors. Pull on the lanyard tab to snug the protective cover against the side of the round.

(3) Grasp the handgrip and lift the CLU into position over the round interface connector. Keep the eyecup pointed toward the aft end of the round.

(4) Place the round interface bracket in the round hooks.

(5) Slide forward and press down on the CLU to engage the CLU and round interface connectors. The round and CLU are connected correctly when the latch release snaps into place.



CONNECT THE CLU TO THE ROUND

d. Remove the forward end cap

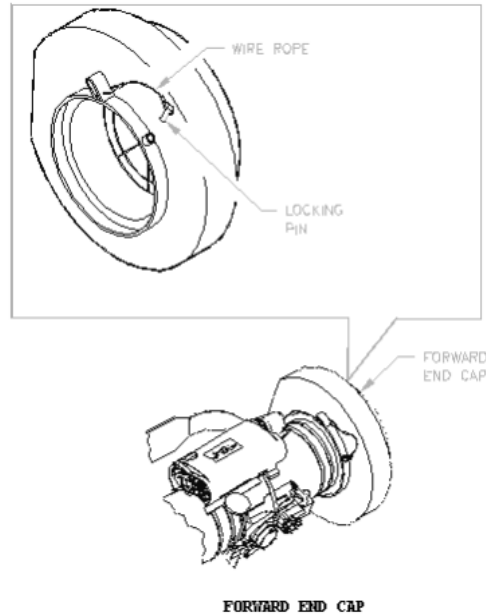
(1) Remove the locking pin from the forward end cap by pulling straight up on the wire rope.

(2) With your left hand, turn the forward end cap latch release counter-clockwise.

(3) Grasp the handgrip with the right hand and lift the front end of the Javelin enough to raise the forward end cap off the ground.

(4) Turn the forward end cap latch counterclockwise. Slide the forward end cap off the round. If the forward end cap does not come off round, press the manual release button until hissing stops. Set the open end of the round on the forward end cap to prevent dirt and debris from entering the round.

(5) Inspect the open end of the round for dirt and debris, and remove it if any is present.



e. Open lens covers on the day sight and NVS. Ensure that the lens covers are opened completely.

5. **PREPARE A JAVELIN WEAPON SYSTEM FOR FIRING.** Prior to firing you should always conduct a CLU operations check to ensure the proper functioning of the Command Launch Unit.

a. CLU Operational Check. To prepare a CLU for an operation you should do the following:

(1) Place the round on the ground with the latch assembly facing up

(2) Remove the protective cover from the round interface connector.

(3) Remove the protective cover from the Command Launch Unit interface connector.

(4) Place the round interface bracket in the round hooks.

(5) Remove forward end cap.

(6) Open day sight and night vision sight lens covers on the command launch unit.

- b. Set power switch to NIGHT position.
- c. Adjust diopter ring for best clarity.
- d. Verify the day indicator and night sight not ready indicators are lit.
- e. Wait 2.5 minutes for NVS to cool down.
- f. Verify night sight not ready indicator goes out.
- g. Press SGT SEL switch and observe the day indicator goes out, WFOV video appears, and WFOV indicator is lit.
- h. Press the SGT SEL switch again and observe the day indicator goes out, the NFOV video appears, and the NFOV indicator is lit.
- i. Press up on the FOCUS switch and hold until the NFOV indicator begins to flash.
- j. Press down on the FOCUS switch and hold until the NFOV indicator begins to flash again.
- k. Select a target in the command launch unit display.
- l. Adjust focus for clear video using the FOCUS switch.
- m. Adjust contrast of command launch unit display for clear video by pressing GATE ADJ/CTRS & BRT switch left and right.
- n. Adjust brightness of command launch unit display for clear video by pressing GATE ADJ/CTRS & BRT switch up and down.
- o. Press FLTR switch and observe command launch unit display to become darker and FLTR indicator is lit.
- p. Press FLTR switch again and observe that command launch unit display brightness and FLTR indicator goes out.
- q. Press SGT SEL switch and observe NFOV indicator goes out, DAY FOV appears, and DAY indicator is lit.
- r. Turn power switch on the command launch unit to the OFF position.
- s. Close day sight and night vision sight lens covers.

6. **RESTORE A JAVELIN TO A CARRY CONFIGURATION**

a. Remove the Javelin from your shoulder and place it so that the flat area of the aft end cap is face down and the open end of the round rests on the forward end cap.

b. Turn the CLU power switch to the OFF position and close the CLU lens covers.

c. Replace the forward end cap.

d. Grasp the handgrip with the right hand and lift the forward end of the round.

e. Check to ensure that the forward end cap latch is in the open position and align the forward end cap latch handle with the BCU pylon.

f. Slide the forward end cap onto the round and turn the latch clockwise (CW) to engage the locks.

g. Reinstall the locking pin into the hole in the forward end cap.

h. Press the round latch release and remove the CLU from the round.

i. Reinstall the protective covers on the CLU and round interface connectors.

j. Place the CLU in the carry bag with the handgrips up and the eyecup toward the back of the carry bag.

k. Assume either the short-distance carry or the long-distance carry configuration.



REPLACE FORWARD END CAP

References: TM 09397B-12/1, Operator and Organization Maintenance Manual for a Javelin, M98A1, pages 2-71 through 2-74, 2-81 through 2-86, 2-116 through 2-127, and 2-136 through 2-137.

EXAM ID: AM1604P

EXAM TITLE: Inspect a Javelin Missile

LO: 51TR.02.02

STUDENT INSTRUCTIONS:

1. You are an infantry assaultman and must inspect a Javelin encased missile.
2. There is no time limit for this task.
3. To achieve mastery, you must perform each of the performance steps correctly.

Checklist	Pass	Fail
1. Inspect the forward end cap for damage.		
2. Inspect the guide pin of the forward end cap for damage.		
3. Remove forward end cap and inspect seeker dome for damage.		
4. Replace the forward end cap.		
5. Inspect the BCU status indicator for serviceability of the BCU.		
6. Inspect the BCU for damage.		
7. Inspect the CLU interface connector for damage.		
8. Inspect the bracket for damage.		
9. Inspect the latch assembly for damage.		
10. Inspect the latch release for damage.		
11. Inspect the shoulder pad for damage.		
12. Inspect the shoulder strap for damage.		
13. Inspect the rear end cap and membrane for damage.		
14. Inspect the launch tube assembly for damage.		

EXAM ID: AM1604P

EXAM TITLE: Prepare a Javelin for Firing

LO: 51TR.02.03

STUDENT INSTRUCTIONS:

1. You are an infantry assaultman and must prepare a Javelin weapon system for firing.
2. There is no time limit for this task.
3. To achieve mastery, you must perform each of the performance steps correctly.

CHECKLIST:

Pass

Fail

	Pass	Fail
1. From the long or short distance carry, place the round on the ground with the latch assembly facing up.		
2. Remove the protective cover from the CLU interface connector on the LTA.		
3. Remove the CLU from the carry bag		
4. Remove the protective cover from the round interface connector on the CLU.		
5. Place the round interface bracket in the round hooks.		
6. Engage round and command launch unit interface connectors.		
7. Remove forward end cap.		
8. Open day sight and night vision sight lens covers on the command launch unit.		
9. Assume a firing position		
10. Set power switch to NIGHT position.		
11. Adjust diopter ring for best clarity.		
12. Verify the day indicator and night sight not ready indicators are lit.		
13. Wait 2.5 minutes for NVS to cool down.		
14. Verify night sight not ready indicator goes out.		
15. Press SGT SEL switch and observe the day indicator goes out, WFOV video appears, and WFOV indicator is lit.		
16. Press the SGT SEL switch again and observe the day indicator goes out, the NFOV video appears, and the NFOV indicator is lit.		
17. Press up on the FOCUS switch and hold until the NFOV indicator begins to flash.		
18. Press down on the FOCUS switch and hold until the NFOV indicator begins to flash again.		
19. Select a target in the command launch unit display.		
20. Adjust focus for clear video using the FOCUS switch.		
21. Adjust contrast of command launch unit display for clear video by pressing GATE ADJ/CTRS & BRT switch left and right.		
22. Adjust brightness of command launch unit display for clear video by pressing GATE ADJ/CTRS & BRT switch up and down.		

23. Press FLTR switch and observe command launch unit display to become darker and FLTR indicator is lit.		
24. Press FLTR switch again and observe that command launch unit display brightness and FLTR indicator goes out.		
25. Press SGT SEL switch and observe NFOV indicator goes out, DAY FOV appears, and DAY indicator is lit.		
26. If the missile is not fired, remove the Javelin from your shoulder and place it so that the flat area of the aft end cap is face down and the open end of the round rests on the forward end cap.		
27. Turn the CLU power switch to the OFF position		
28. Close the CLU lens covers		
29. Replace the forward end cap		
30. Grasp the handgrip with the right hand and lift the forward end of the round		
31. Check to ensure that the forward end cap latch is in the open position and align the forward end cap latch with the BCU pylon		
32. Slide the forward end cap onto the round and turn the latch clockwise to engage the locks		
33. Reinstall the locking pin into the hole in the forward end cap		
34. Press the round latch release and remove the CLU and round interface connectors		
35. Place the CLU in the carry bag with the handgrips up and the eyecup toward the back of the carry bag		
36. Assume either the short or long distance carry configuration		

EXAM ID: AM1604P

EXAM TITLE: Inspect a Javelin Missile

LO: 51TR.02.02

STUDENT INSTRUCTIONS:

1. You are an infantry assaultman and must inspect a Javelin encased missile.
2. There is no time limit for this task.
3. To achieve mastery, you must perform each of the performance steps correctly.

CHECKLIST:

	Pass	Fail
1. Inspect the forward end cap for damage.		
2. Inspect the guide pin of the forward end cap for damage.		
3. Remove forward end cap and inspect seeker dome for damage.		
4. Replace the forward end cap.		
5. Inspect the BCU status indicator for serviceability of the BCU.		
6. Inspect the BCU for damage.		
7. Inspect the CLU interface connector for damage.		
8. Inspect the bracket for damage.		
9. Inspect the latch assembly for damage.		
10. Inspect the latch release for damage.		
11. Inspect the shoulder pad for damage.		
12. Inspect the shoulder strap for damage.		
13. Inspect the rear end cap and membrane for damage.		
14. Inspect the launch tube assembly for damage.		

EXAM ID: AM1604P

EXAM TITLE: JAVELIN FIRING POSITIONS

LO: 51TR.02.03b

STUDENT INSTRUCTIONS:

1. You are an infantry assaultman and must assume the four Javelin firing positions
2. There is no time limit for this task.
3. To achieve mastery, you must perform each of the performance steps correctly.

Checklist:

Pass Fail

Checklist:			Pass	Fail
KNEELING POSITION				
1. Kneel on the left side of the Javelin at the forward end, facing in the direction of fire.				
2. Check the back blast area to ensure no one is located in the back blast area.				
3. Grasp the left handgrip with left hand.				
4. Place right hand under the round near the shoulder pad.				
5. Lift the Javelin in a single, smooth motion and position the shoulder pad on your right shoulder. Do not to put your finger on the seeker trigger when lifting the Javelin.				
6. Kneel in the most comfortable position, with one knee or both knees on the ground.				
7. Hold the CLU by the right handgrip and adjust your body until comfortable with the Javelin.				
SITTING POSITION				
1. Sit or kneel on the left side of the Javelin at the forward end, direction of fire.				
2. Check the back blast area. Ensure no one is located in the back blast area.				
3. Grasp the left handgrip with your left hand. Place your right hand under the round near the shoulder pad.				
4. Lift the Javelin in a single, smooth motion and position the shoulder pad on your right shoulder. Do not put your finger on the seeker trigger when lifting the Javelin.				
5. Get into a comfortable sitting position.				
6. Hold the CLU by the right handgrip and adjust body until you are comfortable with the Javelin.				
STANDING SUPPORTED POSITION				
1. Kneel on the left side of the Javelin at the forward end.				
2. Have gunner check the back blast area.				
3. Grasp the left handgrip with your left hand. Place your right hand under the round near the shoulder pad.				

4. Lift the Javelin in a single, smooth motion and position the shoulder pad on your right shoulder.		
5. Carefully rise to a standing position and stand with your legs spread apart at a comfortable distance.		
6. Hold the CLU by the right handgrip and place your elbows on the edge or rim of the fighting position.		
PRONE POSITION		
1. Set the round on the ground with the flat sides of the end caps face down. The round interface connector and latch assembly should be face up.		
2. Ensure that the round points toward the target area.		
3. Place the carry bag (with CLU) on the left side of the round by the forward end.		
4. Lay on your left side along the left side of the round next to the carry bag. Maintain a low profile to limit observation of your movements.		
5. Remove the CLU from the carry bag.		
6. Turn the power switch to the NIGHT position.		
7. Connect the CLU to the round.		
8. Remove the forward end cap.		
9. Place the forward end cap directly under the open end of the Javelin.		
10. Place the forward end cap directly under the open end of the Javelin.		
11. Check the back blast area and ensure that no personnel are located in the primary danger zone or caution areas.		
12. Position your body so it is parallel with the Javelin with your left hand tightly on the left handgrip. Place your left hand on left handgrip helps to guide or keep the Javelin in control. Your right shoulder should be just behind the shoulder pad to balance the weight.		
13. Tilt the Javelin and your body to the left side. At the same time reach out with your right hand to secure the forward end cap.		
14. Grasp the forward end cap, hold it with the inside of the forward end cap facing toward the CLU, the outside facing toward the ground, and the flat side of the forward end cap facing up.		
15. Slide the forward end cap forward, until the forward end cap locking ring contacts the shock absorber on the battery compartment.		
16. Slowly lower the Javelin until it rests on the forward end cap. Slide your body forward so that your right shoulder is against the forward end cap.		
17. Ensure that you can reach the right handgrip switches and operate them easily.		
18. Ensure that the Javelin is supported by the forward end cap and is not resting on your shoulder.		
19. Pull the Javelin tightly into your body until the forward end cap fits against the right shoulder. Press your right eye into the eyecup.		
20. Place your body at a 30-degree angle to the length of the round.		

EXAM ID: AM1604P

EXAM TITLE: RESTORE A JAVELIN TO A CARRY CONFIGURATION

LO: 51TR.02.03f

STUDENT INSTRUCTIONS:

1. You are an infantry assaultman and must restore a Javelin to the carry configuration.
2. There is no time limit for this task.
3. To achieve mastery, you must perform each of the performance steps correctly.

Checklist:

Pass Fail

	Pass	Fail
1. Remove the Javelin from your shoulder and place it so that the flat area of the aft end cap is face down and the open end of the round rests on the forward end cap.		
2. Turn the CLU power switch to the OFF position and close the CLU lens covers.		
3. Replace the forward end cap.		
4. Grasp the handgrip with the right hand and lift the forward end of the round.		
5. Check to ensure that the forward end cap latch is in the open position and align the forward end cap latch handle with the BCU pylon.		
6. Slide the forward end cap onto the round and turn the latch clockwise (CW) to engage the locks.		
7. Reinstall the locking pin into the hole in the forward end cap.		
8. Press the round latch release and remove the CLU from the round.		
9. Reinstall the protective covers on the CLU and round interface connectors.		
10. Place the CLU in the carry bag with the handgrips up and the eyecup toward the back of the carry bag.		
11. Assume either the short-distance carry or the long-distance carry configuration.		